



CARGO CARRIER INSTRUCTIONS

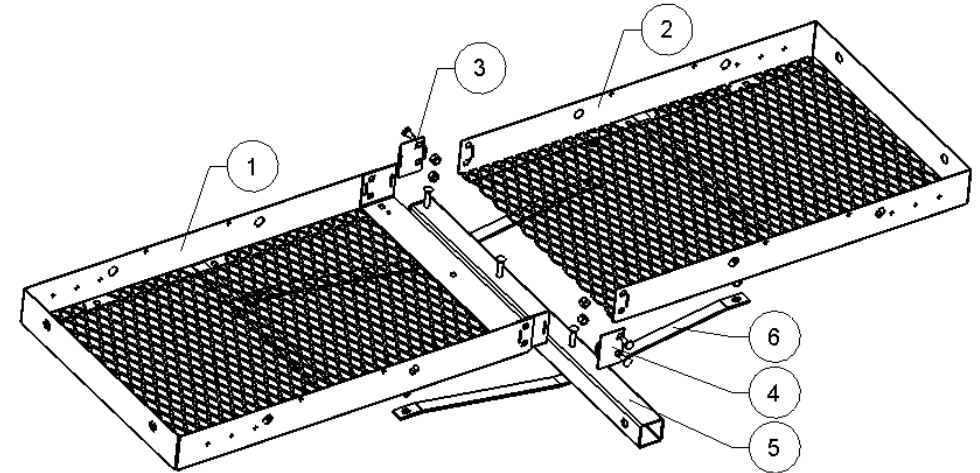
MODEL: 48-979025 and 48-979029

WARNING

- **DO NOT LOAD SCOOTERS OR MOTORCYCLES ON CARGO CARRIER.**
- Never exceed receiver tongue weight rating.
- Distribute weight evenly on platform.
- **DO NOT** transport live animals; exhaust fumes may be fatal.
- The Cargo Carrier is not intended for transporting people.
- Do not carry loads wider and deeper than Cargo Carrier.
- Do not carry flammable items on Cargo Carrier.
- A tail light kit (not included) must be used when loads cover vehicle's tail lights.
- Do not allow exhaust fumes to blow directly on your cargo. This is a **FIRE HAZARD**. See "**IMPORTANT NOTICE**".
- UF is not responsible for any damage if warnings are neglected.

IMPORTANT NOTICE:

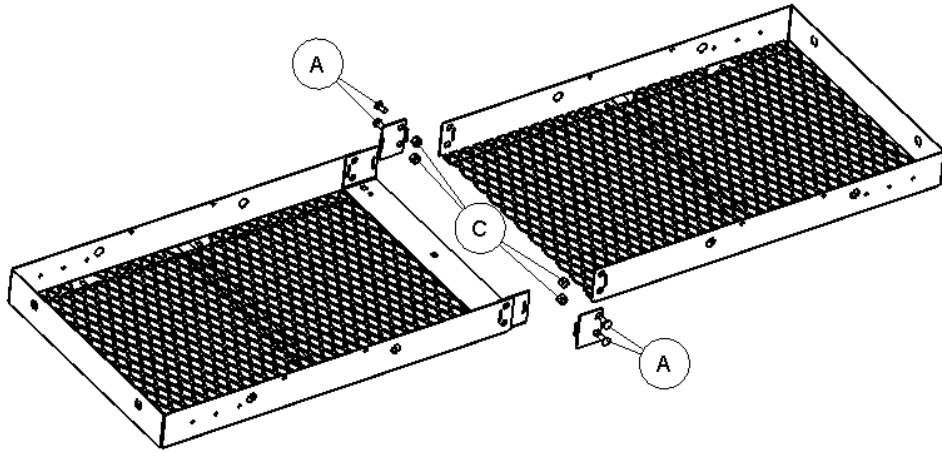
DO NOT BLOCK the exhaust pipe and avoid exhaust fumes that blow directly onto the Cargo Carrier.



PARTS LIST

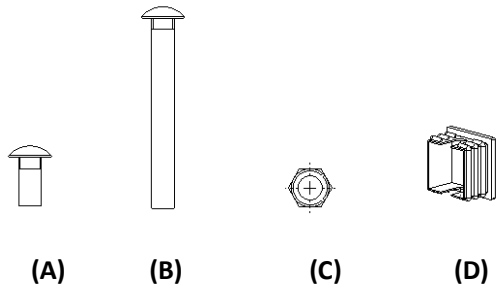
Pic.1

ITEM NO.	UF PART NUMBER	DESCRIPTION	QTY REQ
1	48-001029	Platform-Right Half w/Lip (for 24x60 XL Cargo Carrier)	1
	48-001028	Platform-Right Half w/Lip (for 20x60 Cargo Carrier)	
2	48-001027	Platform-Left Half (for (24x60 XL Cargo Carrier)	1
	48-001026	Platform-Left Half (for (20x60 Cargo Carrier)	
3	48-001032	Lock Plate L	1
4	48-001033	Lock Plate R	1
5	48-001025	Receiver Bar-2" (33" for 24x60 XL Cargo Carrier)	1
	48-001024	Receiver Bar-2" (29" for 20x60 Cargo Carrier)	
6	48-001021	Support Bridges	2



Pic.1

HARDWARE LIST



ITEM NO.	UF PART NUMBER	DESCRIPTION	QTY REQ
A	48-001019	Carriage Bolt 3/8"-16X3/4" (short)	8
B	48-001017	Carriage Bolt 3/8"-16X3-1/4" (long)	3
C	48-001016	Lock Nut 3/8"-16	11
D	48-001015	Receiver Cap	1

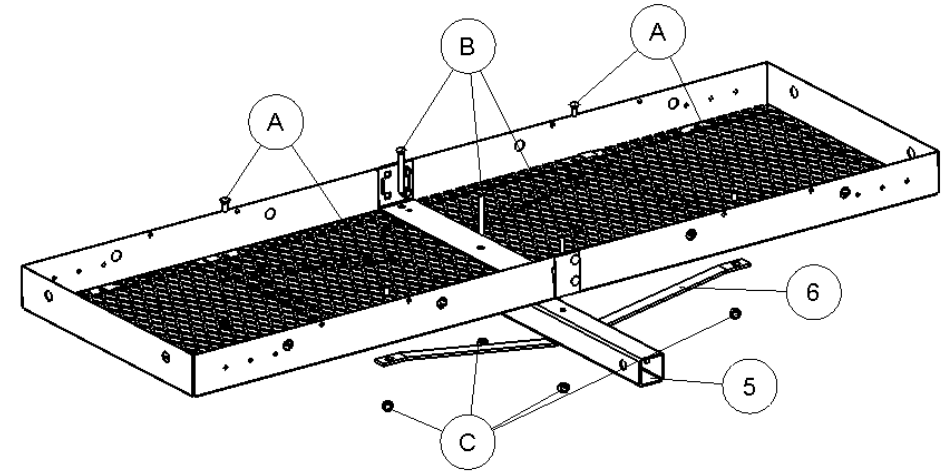
ASSEMBLY INSTRUCTIONS

(a) Partially Assemble Platform

Install 2 Short carriage bolts (A) and 2 Lock nuts (C) on the top of each side of the platform half (1,2). (Pic.1)

(b) Assemble other parts to platform

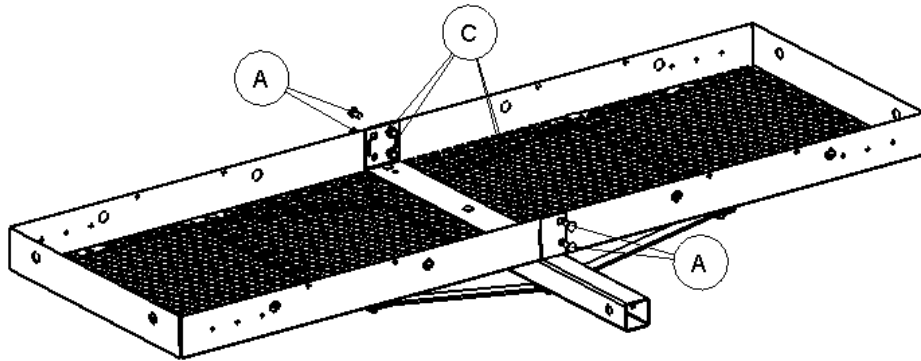
Use 3 Long carriage bolts (B) and 3 Lock nuts (C) to assemble Platform(1,2), Support bridges (6) and Receiver bar (5). Then use 4 Short carriage bolts (A) and 4 Lock nuts (C) to attach the Support bridges (6) to the platform. (Pic.2)



Pic.2

(c) Complete platform assembly

Use 4 Short carriage bolts (A) and 4 Lock nuts (C) to connect both platform halves at the lower holes. (Pic.3)



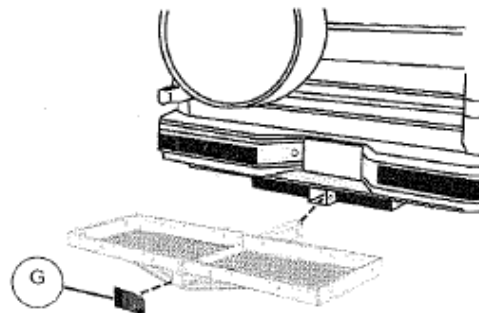
Pic.3

(d) Hitch receiver cap installation

Align plastic receiver cap (D) with open end of receiver bar that faces away from vehicle. With even pressure, push cap into opening.

(e) Attaching to vehicle

Install platform to your vehicle by sliding receiver tube into vehicle's receiver hitch. Clevis pin must slide through receiver hitch and receiver tube hole at the same time to secure Cargo Carrier properly. Place safety clip through clevis pin.



(NOTE: CLEVIS PIN AND RECEIVER HITCH PIN NOT INCLUDED)