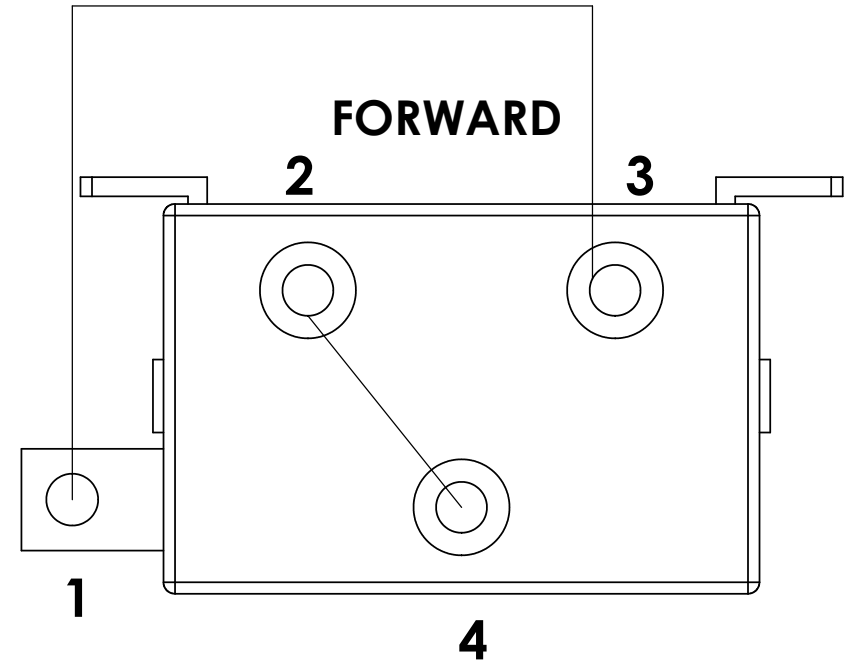
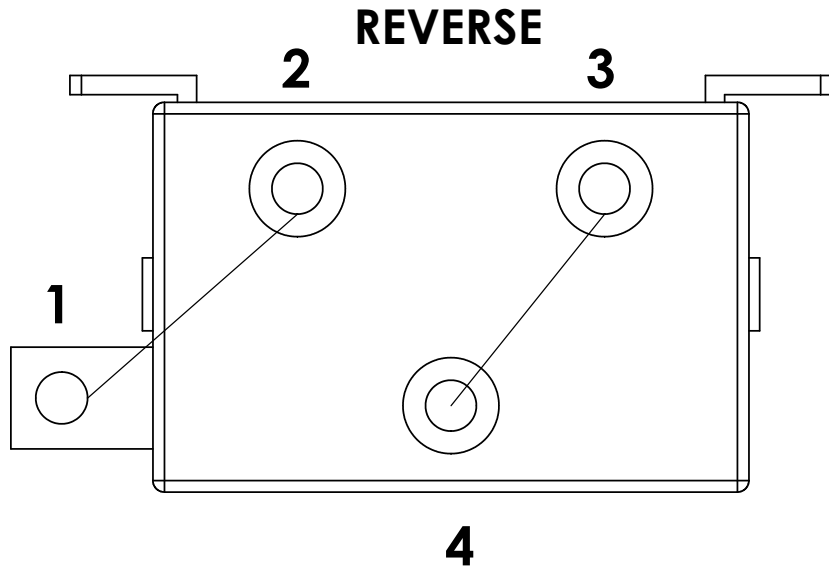


DC 88 TEST PROCEDURE



- STEP 1 DISCONNECT 4 GAGE WIRES FROM TOP OF DC 88
- STEP 2 WITH DC 88 ENERGIZED IN FORWARD OR REVERSE CHECK CONTINUITY (OHMS) ACROSS TERMINALS AS PER DIAGRAM ABOVE.
- STEP 3 WITH CONTINUITY BETWEEN 1&2 AND 3&4 THERE SHOULD NO CONTINUITY BETWEEN 2&4 AND 1&3.
- STEP 4 SWITCH THE FORWARD - REVERSE SWITCH AND CHECK CONTINUITY SEE ABOVE DIAGRAM. 1-3 & 2-4 CLOSED
1-2 & 3-4 OPEN