



Installation Instructions for Hitch Mount 4" Swivel Skid Wheels

(PN #48-979014)

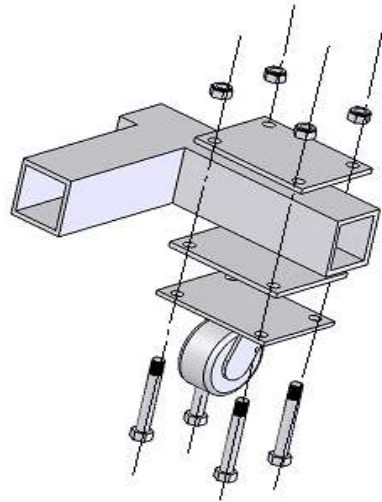


Illustration 1

1. Refer to **Illustration 1** above. Place one mounting plate above and one mounting plate below the RV hitch bar to the right of the receiver opening.
2. Using the bolts and lock nuts provided in the hardware package, complete the assembly as shown in Illustration
 - a. The mounting plate holes will fit either a 2½" or a 3" hitch bar.
 - b. Two 9/16" wrenches will be needed to tighten the lock nuts. Alternate tightening each lock nut a little at a time until all lock nuts are tight.
3. To mount second wheel, repeat 1 and 2 on the left side of hitch receiver opening.
4. Grease roller bearings through the zerk fittings in the wheel casting before use.

Parts List

No.	Name	QTY
1	4" Swivel Skid Wheels	2
2	mounting plate	4
3	3/8" lock nuts	8
4	3/8"-16 X 3 1/2" bolts	8