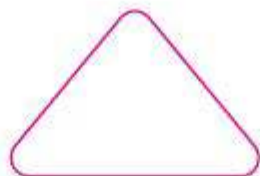


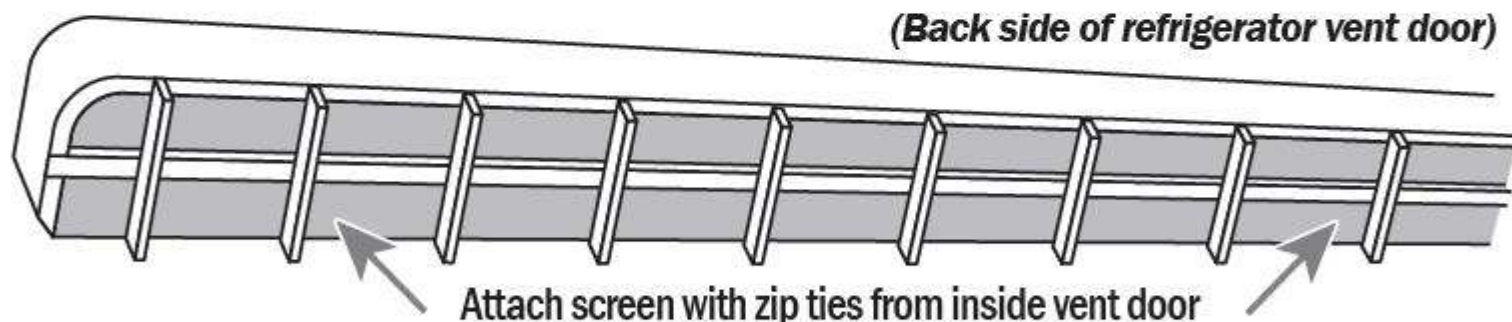
Ultra-Fab Products, Inc.
Elkhart, Indiana
sales@ultra-fab.com



800-860-7571
ultra-fab.com

INSTALLATION INSTRUCTIONS

1. Open refrigerator vent door.
2. From the outside, insert one screen in each of the three vent openings.
3. Screens should be fully inserted to the back of the vent openings.
4. Trim screens with metal snips to ensure proper fit.
5. Secure screens to the center bar with two zip ties (included).
Trim excess zip tie as needed.



***Screen must be inspected monthly and cleaned
when necessary to maintain proper air flow.***

