



57985 State Road 19, South
Elkhart, Indiana 46517
PH: (800) 860-7571
FX: (800) 860-4980
www.ultra-fab.com

ALUMILITE KING PIN TRIPOD STABILIZER
UF# 19-950200

Thank you for purchasing the **Alumilite King Pin Tripod (PN 19-950200)**. It was a wise purchase, and we are sure it will provide you with many years of service.

! SAFETY WARNINGS !

This tripod is **NOT** a jack. It is **NOT** made to replace the landing gear on your 5th wheel trailer. This tripod is a stabilizer designed to reduce or eliminate the vibrations and motion that travel through the frame. **Do NOT** place your hands or fingers in areas that could cause pinching.

Assembly Instructions

The tripod hardware has been preassembled for your convenience. It is recommended to snug the nuts prior to placing the tripod on the king pin to provide better stability. Do not tighten completely. Allow the legs and arms to move freely so that the tripod can open while being placed in use and can collapse upon removal from the king pin for easy storage. You will need to attach the footpad(s) - clip assembly supplied - and the chain.

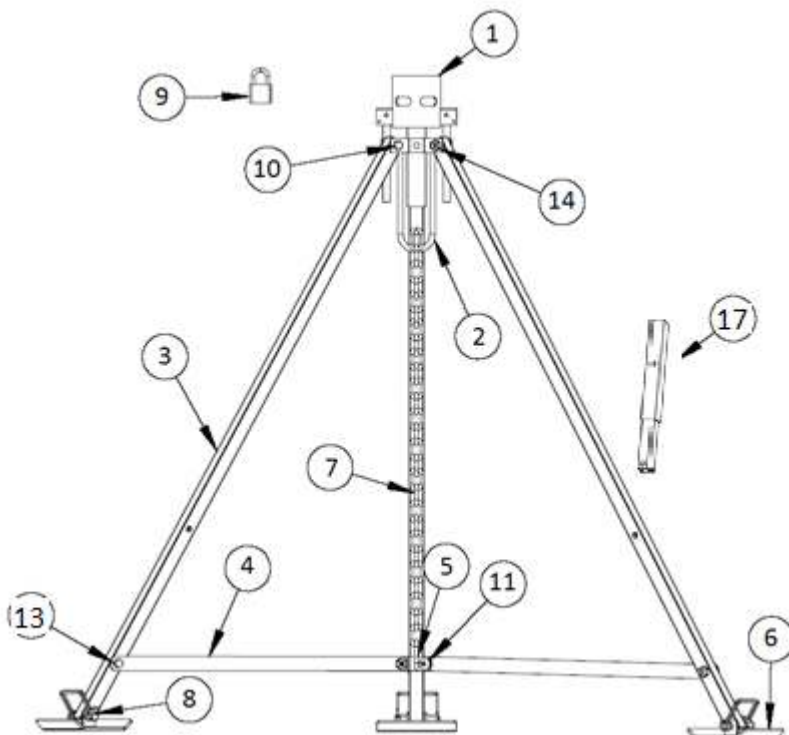
How to Use

To use your tripod:

- 1) Hold the chain (7) in one hand, and position the tripod below the king pin of your coach.
- 2) Pull the chain and lift the cup (1) up over the king pin.
- 3) Hook the chain link over the pin welded to the leg bracket (2).
- 4) Turn the handle of the cup counter clockwise until the cup is snug against the king pin.
- 5) Two or three additional turns are normally sufficient for stabilization.
- 6) Your tripod is adjustable from 34" to 52".
- 7) Your tripod will support and stabilize up to 1,200 pounds.

To lock:

- 1) Place the lock (9) through the two holes in cup and lock. The neck of the lock has enough interference in the cup so that the king pin cannot be removed. **Your tripod is now stable and secure.**



ILLUS. #	PART #	DESCRIPTION	QTY REQ
1	19-001056	KING PIN CUP ASSEMBLY	1
2	19-001055	LEG BRACKET	1
3	19-001050	LEG	3
4	19-001052	ARM	3
5	19-001053	CONNECTING BRACKET	1
6	19-001051	FOOTPAD	3
7	19-001054	CHAIN	1
8	38-141023	CLIP ASSEMBLY	3
9	19-001022	PADLOCK	1
10	19-001020	BOLT- 3/8-16 x 2" HEX	3
11	19-001018	BOLT- 3/8-16 x 1" HEX	3
13	19-001019	BOLT- 3/8-16 x 1 3/4" HEX	3
14	38-020090	NUT- 3/8-16 NYLOCK	9
17	19-950202	EXTENSIONS-8" (OPTIONAL)	3