



Installation Instructions for Hitch Mount 4" Rigid Skid Wheels

(PN #48-979015)

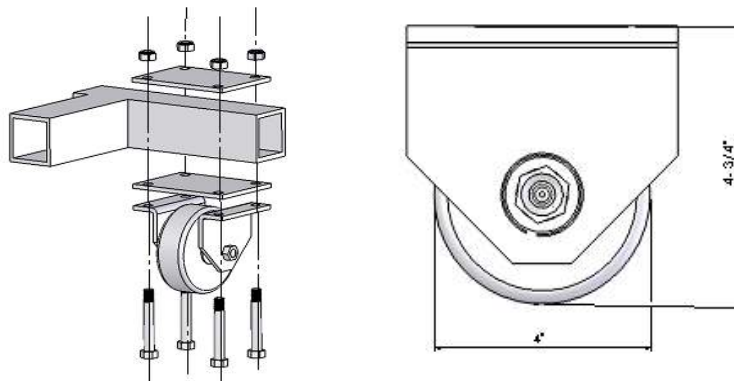


Illustration 1

1. Refer to **Illustration 1** above. Place one mounting plate above and one mounting plate below the RV hitch bar to the right of the receiver opening.
2. Using the bolts and lock nuts provided in the hardware package, complete the assembly as shown in Illustration
 - a. The mounting plate holes will fit either a 2 1/2" or a 3 1/2" hitch bar.
 - b. Two 9/16" wrenches will be needed to tighten the lock nuts. Alternate tightening each lock nut a little at a time until all lock nuts are tight.
 - c. The bolts can be inserted through the mounting plate from below the hitch bar as shown in the Illustration 1 or from above the hitch bar depending on the clearance available.
3. To mount second wheel, repeat 1 and 2 on the left side of hitch receiver opening.
4. Grease roller bearings through the zerk fittings in the wheel casting before use.

Parts List

No.	Name	QTY
1	4" Rigid Skid Wheel	2
2	mounting plate	4
3	3/8" spring washer	8
4	3/8" lock nuts	8
5	3/8"-16 X 4 1/2 " bolts	8