



Thank you for purchasing the Ultra-Fab **Quick Support (PN 19-960002)**. It was a wise purchase, and we are sure it will provide you with many years of service.

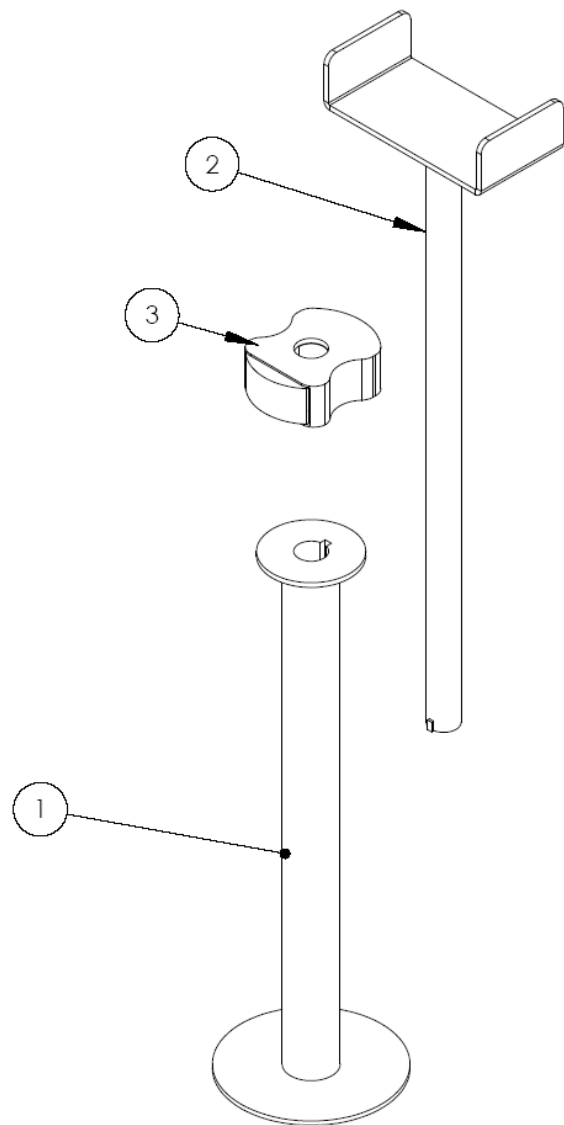
How to Use

The slide out **Quick Support** is very easy to use!

Place the **Quick Support** under the slide-out, with one hand, press the white button and with the other lift the channel support up to the slide-out frame - making sure that the channel support straddles the frame member. Turn the handle clockwise until snug. Once snug give it an additional turn. **The goal is to support not lift.**

The removal of the **Quick Support** is just as easy! Turn the handle counter-clockwise, (lowers the channel support) lower it enough that you can get the stabilizer out from under the slide out. To collapse the **Quick Support**, hold the channel support while pushing the white button and lower. It is now ready for storage.

ILLUS.#	PART #	DESCRIPTION	QTY REQ
1	19-001067	TUBE-MAIN ASSEMBLY MEDIUM	1
2	19-001066	JACKSCREW ASSEMBLY MEDIUM	1
3	19-001070	HANDLE-NUT ASSEMBLY	1





Ultra-Fab Products, Inc.

LIFETIME LIMITED WARRANTY

TIRE CARRIER, FOOT PADS, QUICK PINS, TRIPODS, QUICK SUPPORTS, CHOCK LOCKS, SCISSOR JACKS, STACKER JACKS, SPEED SOCKET, LOCKING CUP AND TONGUE JACK CASTER WHEELS AND FOOT PADS

THE MANUFACTURER NAMED BELOW MAKES THE FOLLOWING WARRANTY WITH RESPECT TO THE ABOVE ULTRA-FAB PRODUCTS

1. This Warranty is made only to the first Purchaser (hereinafter called the "Original Purchaser") who acquires this product for their own use.
2. This Warranty will be in effect for the lifetime from the date of purchase by the Original Purchaser. It is suggested that the Original Purchaser retain a copy of the dated bill of sale as proof of the date of purchase.
3. This Warranty covers only specified parts which shall be free from defects in material and workmanship under normal use. This Warranty does not cover conditions unrelated to the material and workmanship of the product. Such unrelated conditions include, but are not limited to (a) faulty installation and any damage resulting from such; (b) the need for normal maintenance and any damage resulting from the failure to provide such maintenance; (c) failure to follow Manufacturer's instructions for use of this product, and (d) any accident to, or misuse of, any part of this product and any alteration by anyone other than the Manufacturer or its authorized representative.
4. In order to obtain the benefits of this Warranty, you should return the product which you find defective to the Manufacturer named below during the period that this Warranty is in effect. All charges incurred in delivery of the product to the Manufacturer, and in picking it up after the Warranty service has been completed, must be paid by the Original Purchaser.
5. Any item returned in the manner described in paragraph 4 will be examined by the Manufacturer. If it is found that the returned item was defective in material or workmanship, the Manufacturer will repair it without charge for material and labor.
6. Ultra-Fab will pay freight on replacement parts during the first 90 days of ownership by the Original Purchaser.
7. The Manufacturer does not authorize any person or company to create any Warranty obligation or liability on their behalf.
8. IN NO EVENT SHALL THE MANUFACTURER BE LIABLE FOR INCIDENTAL OR CONSEQUENTIAL DAMAGES. SOME STATES DO NOT ALLOW THE EXCLUSION OR LIMITATION OF INCIDENTAL OR CONSEQUENTIAL DAMAGES SO THE ABOVE LIMITATION OR EXCLUSION MAY NOT APPLY TO YOU.
9. ANY IMPLIED WARRANTY, INCLUDING THE IMPLIED WARRANTY OF MERCHANTABILITY AND FITNESS FOR ANY PURPOSE, IS LIMITED TO THE DURATION OF THIS LIMITED WARRANTY. SOME STATES DO NOT ALLOW LIMITATIONS ON HOW LONG AN IMPLIED WARRANTY LASTS, SO THE ABOVE LIMITATION MAY NOT APPLY TO YOU.
10. THIS WARRANTY GIVES YOU SPECIFIC LEGAL RIGHTS, AND YOU MAY ALSO HAVE OTHER RIGHTS WHICH VARY FROM STATE TO STATE.

Ultra-Fab Products, Inc.

57985 SR 19 S., Elkhart, IN 46517

Tel: (574) 294-7571 Fax: (574) 294-4980

www.ultra-fab.com

REGISTER YOUR PRODUCT

Please visit our website www.ultra-fab.com
click on the WARRANTY tab and select REGISTER YOUR WARRANTY.

As a registered ULTRA-FAB customer, you'll be able to:

- Stay informed of new products, announcements, and special offers.
- Get faster updates and news by including your email address.