



MANUAL TOP WIND TONGUE JACK

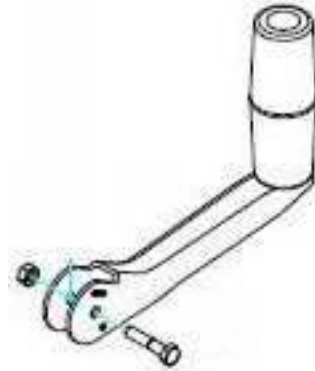
UF# 49-954032 1000lb

UF# 49-954033 2000lb

UF# 49-954050 5000lb

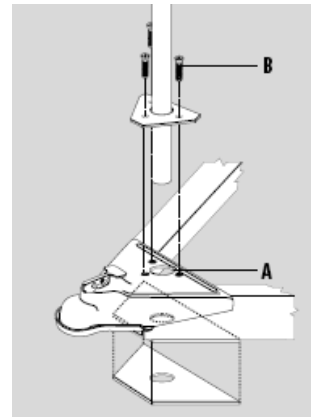
Handle Assembly

1. Place the bolt through the hole of the handle and the shaft of the Lead screw, Insert the Nylon-lock nut in the bolt, tighten the Nylon-lock nut.
2. Torque the nuts to 15-20 ft-lbs.



Installation Instructions

1. Place the Tongue jack into the hole of coupler.
2. Insert bolts: Three bolts (not included) through the each hole.
3. Make sure the bolts rest directly on top of the trailer tongue.
4. Tighten lock-washers and nuts to mounting bolts.
5. Nuts to be torqued to 15-20 ft-lbs.



REGISTER YOUR PRODUCT

Please visit our website www.ultra-fab.com
click on the WARRANTY tab and select REGISTER YOUR WARRANTY.

As a registered ULTRA-FAB customer, you'll be able to:

- Stay informed of new products, announcements, and special offers.
- Get faster updates and news by including your email address.



MANUAL TOP WIND TONGUE JACK

UF# 49-954032 1000lb

UF# 49-954033 2000lb

UF# 49-954050 5000lb



THREE-YEAR LIMITED WARRANTY

DELUXE 5TH WHEEL LANDING GEAR, ULTRA SWAY CONTROL, WEIGHT DISTRIBUTION HITCH, BALL MOUNTS, HITCH BALLS, POWERTWIN II STABILIZERS, LEVELING BLOCKS AND MANUAL TONGUE JACKS

THE MANUFACTURER NAMED BELOW MAKES THE FOLLOWING WARRANTY WITH RESPECT TO THE ABOVE ULTRA-FAB PRODUCTS

1. This Warranty is made only to the first Purchaser (hereinafter called the "Original Purchaser") who acquires this product for their own use.
2. This Warranty will be in effect for three years from the date of purchase by the Original Purchaser. It is suggested that the Original Purchaser retain a copy of the dated bill of sale as proof of the date of purchase.
3. This Warranty covers only specified parts which shall be free from defects in material and workmanship under normal use. This Warranty does not cover conditions unrelated to the material and workmanship of the product. Such unrelated conditions include, but are not limited to (a) faulty installation and any damage resulting from such; (b) the need for normal maintenance and any damage resulting from the failure to provide such maintenance; (c) failure to follow Manufacturer's instructions for use of this product, and (d) any accident to, or misuse of, any part of this product and any alteration by anyone other than the Manufacturer or its authorized representative.
4. In order to obtain the benefits of this Warranty, you should return the product which you find defective to the Manufacturer named below during the period that this Warranty is in effect. All charges incurred in delivery of the product to the Manufacturer, and in picking it up after the Warranty service has been completed, must be paid by the Original Purchaser.
5. Any item returned in the manner described in paragraph 4 will be examined by the Manufacturer. If it is found that the returned item was defective in material or workmanship, the Manufacturer will repair it without charge for material and labor.
6. Ultra-Fab will pay freight on replacement parts during the first 90 days of ownership by the Original Purchaser.
7. The Manufacturer does not authorize any person or company to create any Warranty obligation or liability on their behalf.
8. IN NO EVENT SHALL THE MANUFACTURER BE LIABLE FOR INCIDENTAL OR CONSEQUENTIAL DAMAGES. SOME STATES DO NOT ALLOW THE EXCLUSION OR LIMITATION OF INCIDENTAL OR CONSEQUENTIAL DAMAGES SO THE ABOVE LIMITATION OR EXCLUSION MAY NOT APPLY TO YOU.
9. ANY IMPLIED WARRANTY, INCLUDING THE IMPLIED WARRANTY OF MERCHANTABILITY AND FITNESS FOR ANY PURPOSE, IS LIMITED TO THE DURATION OF THIS LIMITED WARRANTY. SOME STATES DO NOT ALLOW LIMITATIONS ON HOW LONG AN IMPLIED WARRANTY LASTS, SO THE ABOVE LIMITATION MAY NOT APPLY TO YOU.
10. THIS WARRANTY GIVES YOU SPECIFIC LEGAL RIGHTS, AND YOU MAY ALSO HAVE OTHER RIGHTS WHICH VARY FROM STATE TO STATE.

Ultra-Fab Products, Inc.

57985 SR 19 S., Elkhart, IN 46517

Tel: (574) 294-7571 Fax: (574) 294-4980

www.ultra-fab.com